

Experiment Layout Review Summary

Date: 6/11/14

Experiment(s): 10015-Rogers & 09084-Lee

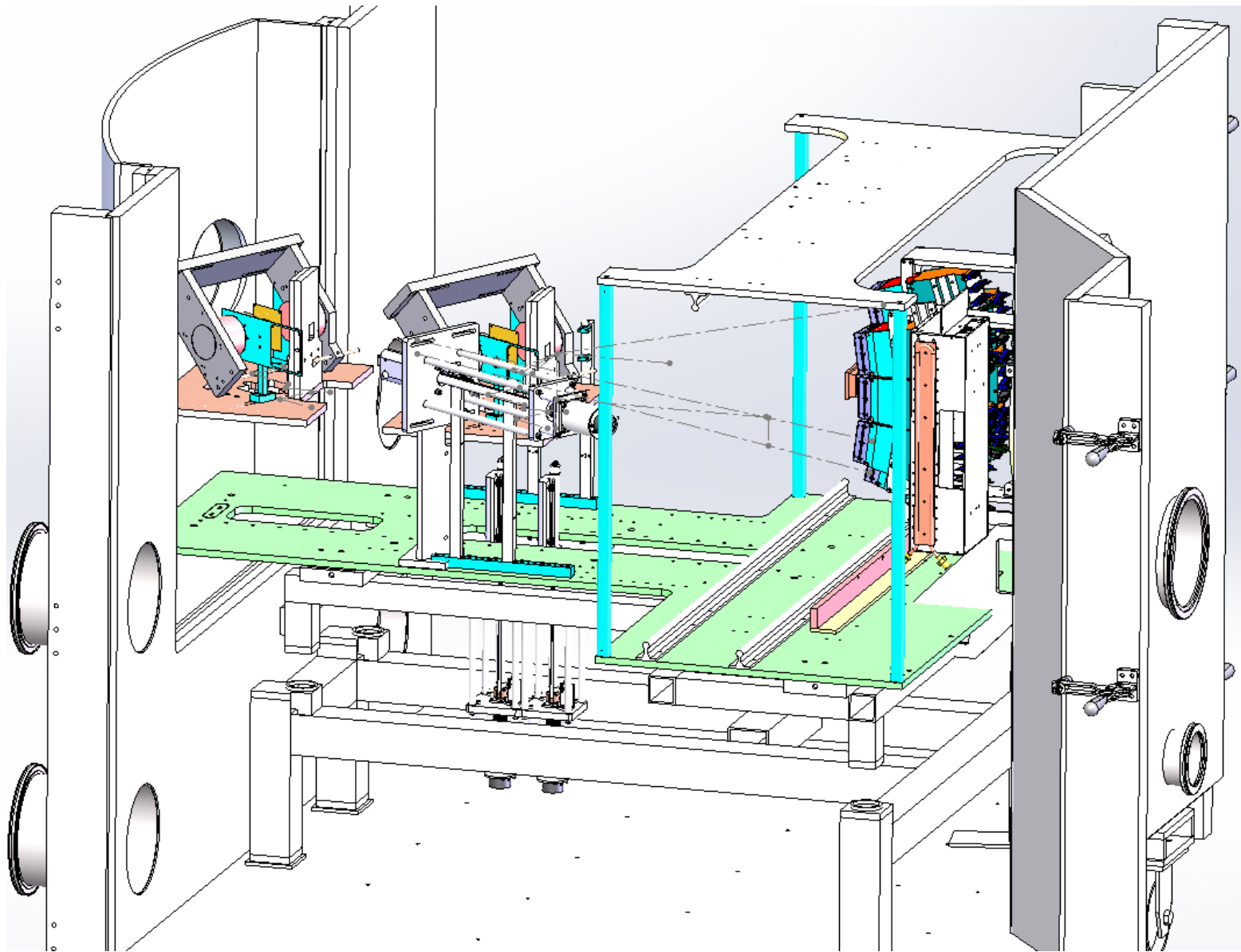
Location/Equipment: S3/HiRA & Target Chamber

Submitted by:

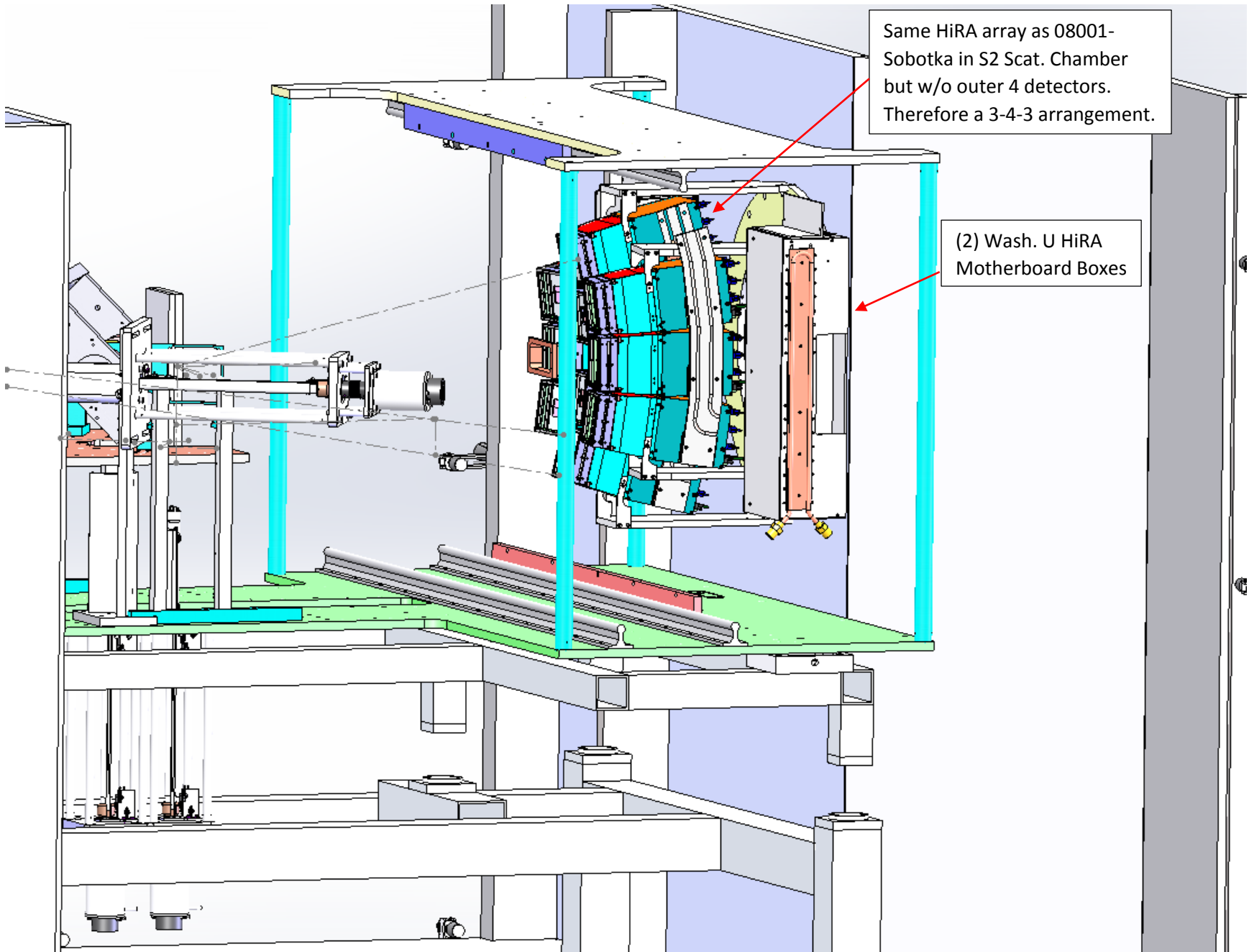
Participants: J. Berryman, A. Rogers, J. Lee, B. Lynch, B. Tsang, D. Bazin, H. Iwasaki, J. Tompkins, D. Lawton, J. Wagner, D. Leitner, A. Stolz, T. Baumann, R. Zegers, M. Steiner, C. Lentz, D. Morrissey, B. Sherrill, T. Elkin, R. Walker, J. Pline, K. Davidson & T. Ginter

Issues discussed/results:

1. Give Kelly Davidson the parameters for the drives (Snow). One drive exists but will need some modifications to mounting plates and then 3 more drives will need to be made. A viewer drive will be added (not shown) directly in front of HiRA detectors for 10015-Rogers.
2. Create an itemized list of needs (Lynch).

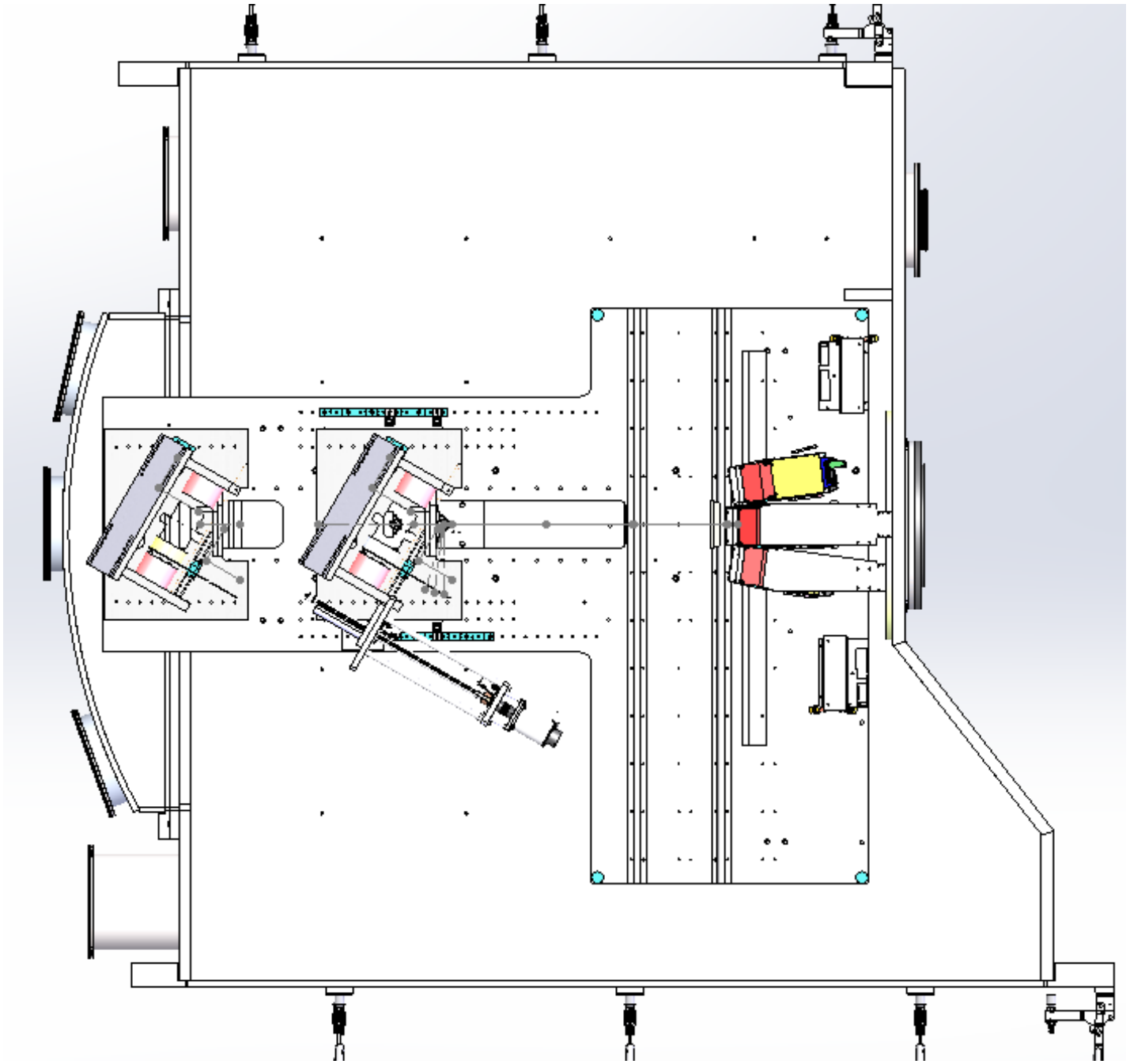


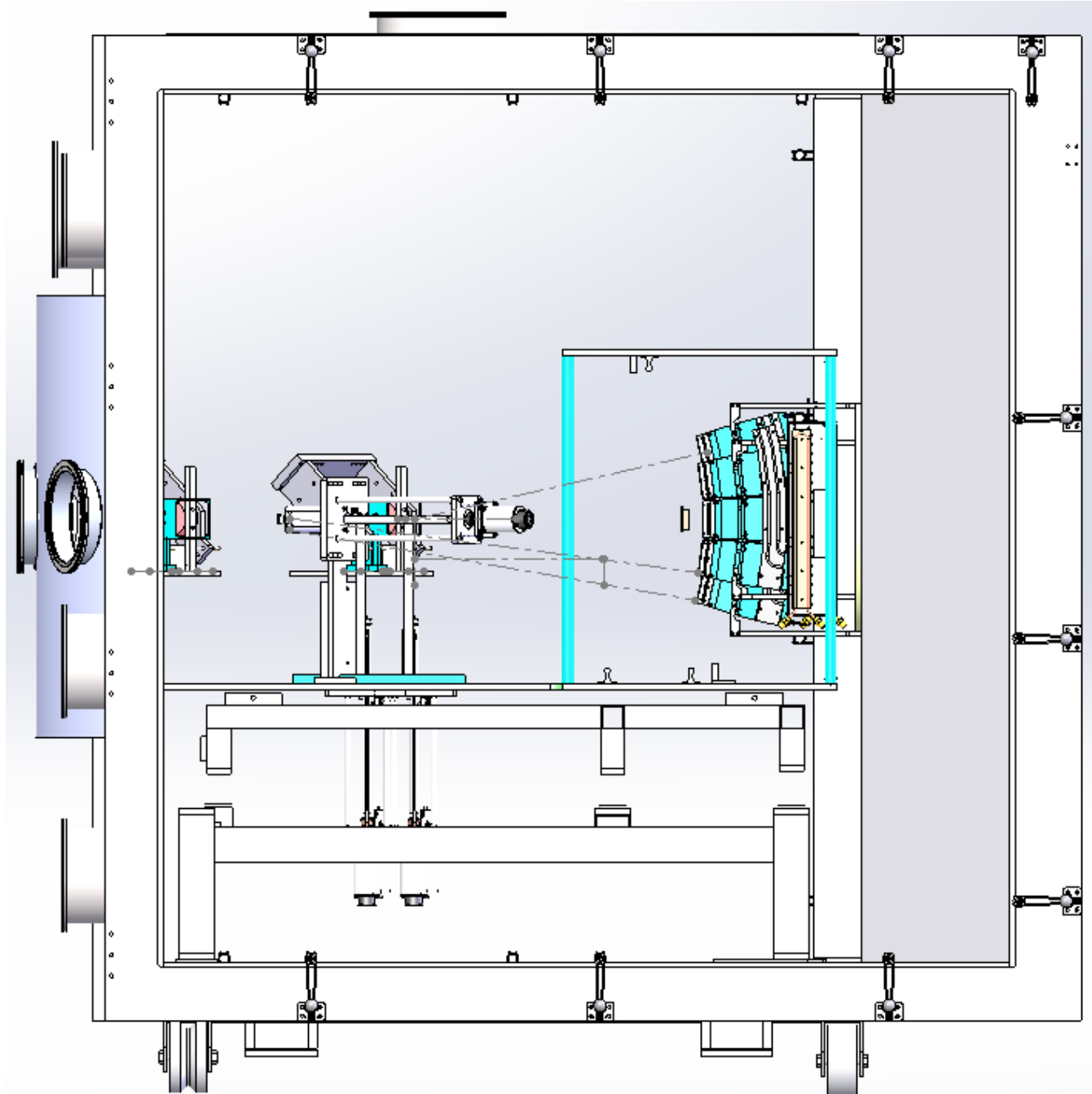
Experiment 10015 – Rogers

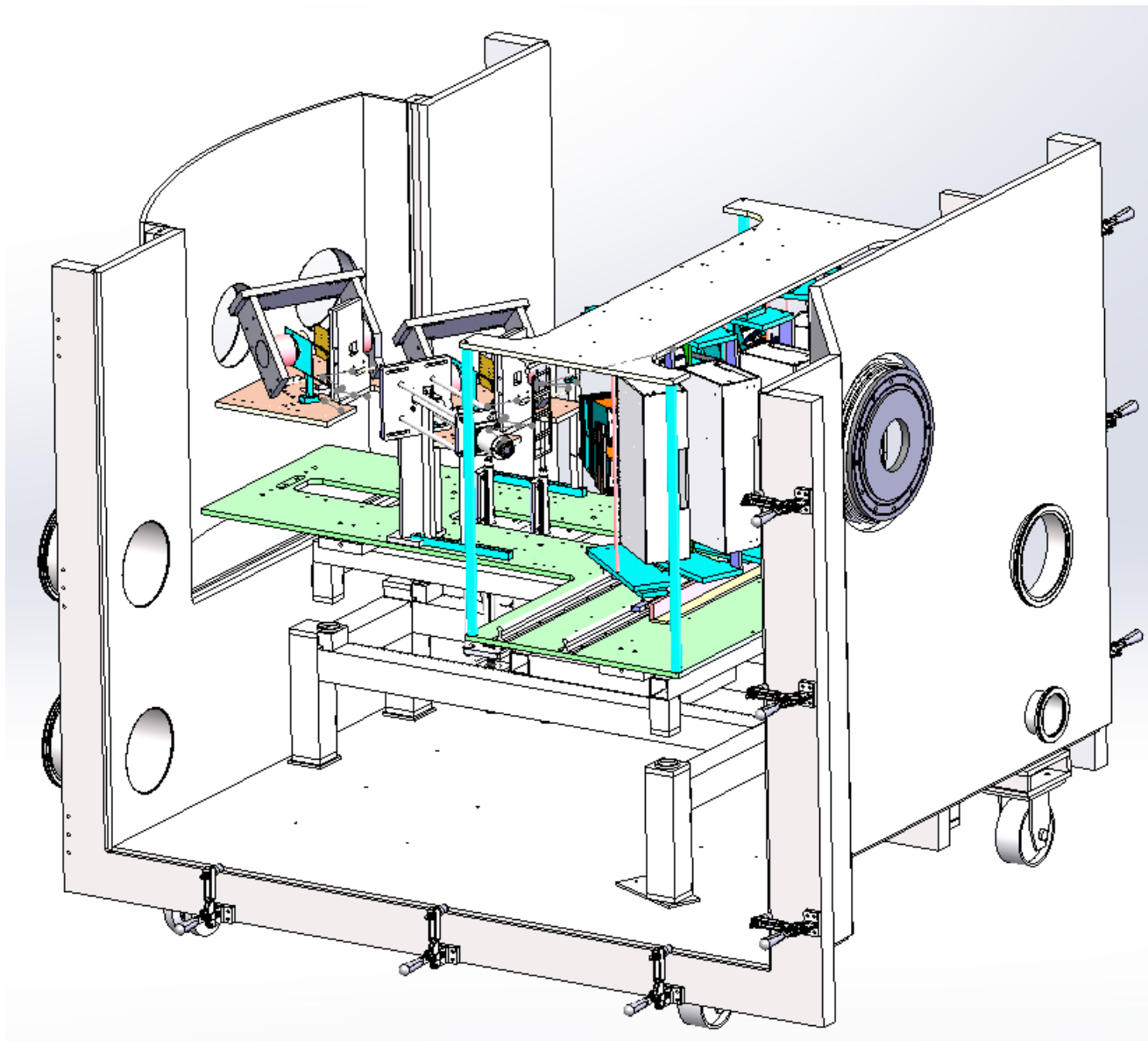


Same HiRA array as 08001-Sobotka in S2 Scat. Chamber but w/o outer 4 detectors. Therefore a 3-4-3 arrangement.

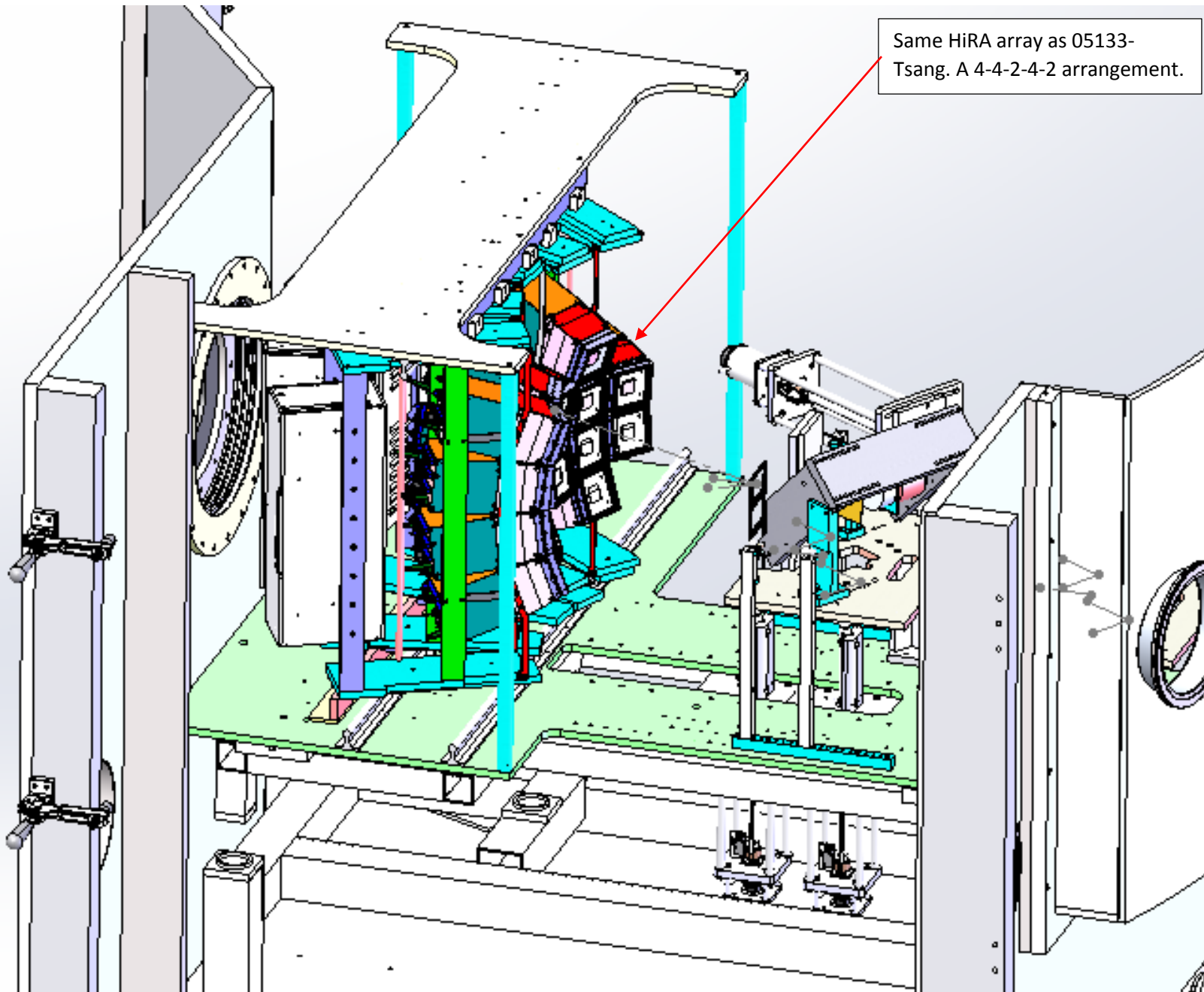
(2) Wash. U HiRA Motherboard Boxes







Experiment 09084 – Lee



Same HiRA array as 05133-Tsang. A 4-4-2-4-2 arrangement.

